

PART NUMBER

SSA5



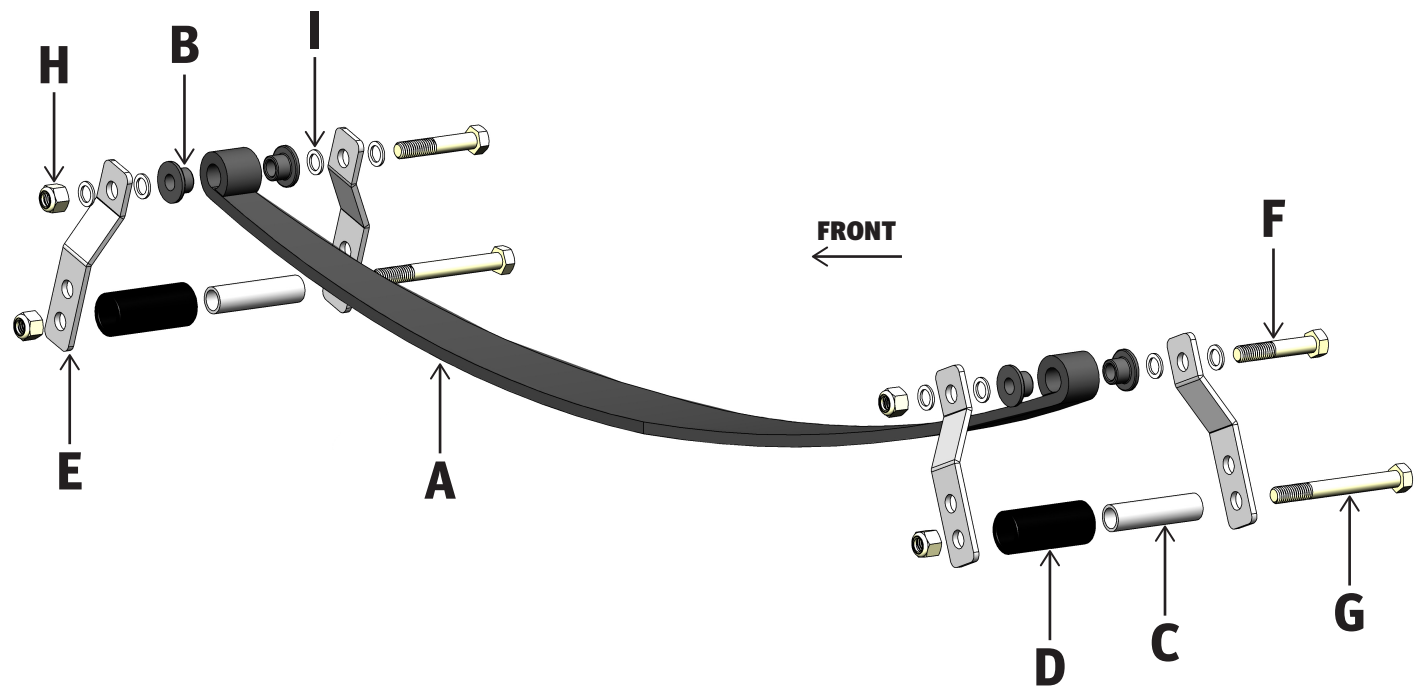
BEFORE YOU BEGIN

TOOLS REQUIRED

- > Floor Jack
- > Safety Jack Stands
- > Wheel Chocks
- > 1-1/16" Wrench/Sockets
- > 1-1/8" Wrench/Sockets
- > Heavy Duty Clamps or SuperSprings Installation Tool

PARTS LIST

Item	Part #	Discription	QTY
A	102005	SSA5 SuperSpring	2
B	112140	Polyurethane Bushing	8
C	112129	Steel Sleeve	4
D	112189	HDPE Roller	4
E	122400	Shackle Leg	8
F	112124	1/2-13 x 2 3/4" Hex Bolt	4
G	112125	1/2-13 x 4 1/2" Hex Bolt	4
H	112126	1/2-13 Nylock Nut	8
I	112127	1/2" Nylon Flat Washer	16



Part Number: SSA5

Product Line: SUPERSPRINGS

Page 1

Questions or Concerns?

Scan here:



or visit:
superspringsinternational.com

SAFETY NOTICE: We recommend installation be done by a professional or persons with sound mechanical knowledge.

WARNING: These instructions are a general guide for installation. SuperSprings International (SSI) assumes no liability for the actual installation process. Consumers and installers should apply common automotive safety practices when raising and working on any vehicle. **Do not put yourself in a position where, if the vehicle were to move unexpectedly, you may be injured.** SSI's products are designed to improve vehicle ride quality. Do not load any vehicle beyond the manufacturer's specifications.

Never exceed the manufacturer's Gross Vehicle Rating (GVWR) located on your vehicles identification tag.

BEFORE INSTALLATION: Ensure the vehicle is on a hard level surface, the parking brake is ON, with the ignition OFF, and place chocks in front of and behind the tires to prevent the vehicle from moving.

DURING AND/OR AFTER INSTALLATION: Ensure emergency brake cables are not touching the SSI products. Secure any cables out of the way with zip ties or by re-routing. Ensure all A/C lines, brake cables, and frame are clear of contact or interference.

REV. 2.01 | SEP 2023

PART NUMBER

SSA5



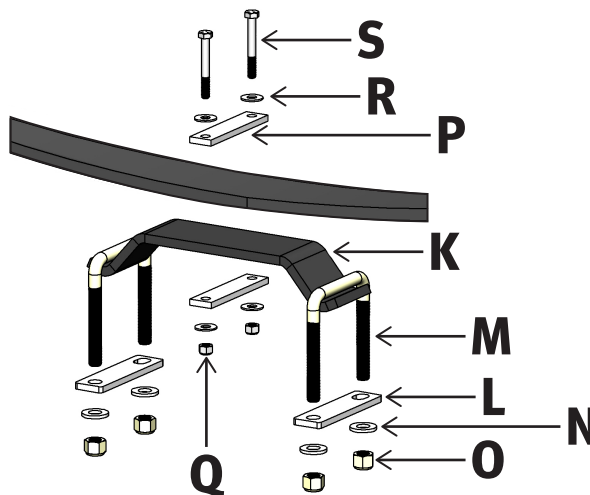
BEFORE YOU BEGIN

PRIMARY APPLICATIONS

- > Chevrolet Blazer 4 X 2 & 4 X 4 (1987 - 1994)
- > Chevrolet Silverado 1500 4 X 2 & 4 X 4 (1999 - 2013)
- > Chevrolet Silverado 1500 Classic 4 X 2 & 4 X 4 (2007)
- > Chevrolet Silverado 1500 HD 4 X 2 & 4 X 4 (2001 - 2003) & (2005 - 2006)
- > Chevrolet Silverado 1500 HD Classic 4 X 2 & 4 X 4 (2007)
- > Dodge RAM 1500 4 X 2 & 4 X 4 (1994 - 2002)
- > Ford Bronco 4 X 2 & 4 X 4 (1978 - 1996)
- > Ford F-150 4 X 2 & 4 X 4 (1975 - 2003)
- > Ford Ranger 4 X 2 & 4 X 4 (1983 - 2009)
- > GMC Jimmy 4 X 2 & 4 X 4 (1973 - 1994)
- > GMC Sierra 1500 4 X 2 & 4 X 4 (1999 - 2013)
- > GMC Sierra 1500 Classic 4 X 2 & 4 X 4 (2007)
- > GMC Sierra 1500 HD 4 X 2 & 4 X 4 (2001 - 2003) & (2005 - 2006)
- > GMC Sierra 1500 HD Classic 4 X 2 & 4 X 4 (2007)

MOUNTING KIT

Item	Part #	Description	QTY
K	112211	MTKT Mounting Bracket	2
L	112203	MTKT Clamp Plate	4
M	112202	3" x 4" Square U-Bolt	4
N	112130	½" Flat Washer	8
O	112126	½"-13 Lock Nut	8
P	112282	Spring Clamp Plate	4
Q	112208	5/16-18 Lock Nut	4
R	512244	5-1/16 Flat Washer	8
S	112214	5/16-18 x 2" Hex Bolt	4
	112215	5/16-18 x 2-½" Hex Bolt	4



Part Number: SSA5

Product Line: SUPERSPRINGS

Page 2

Questions or Concerns?

Scan here:



or visit:
superspringsinternational.com

SAFETY NOTICE: We recommend installation be done by a professional or persons with sound mechanical knowledge.

WARNING: These instructions are a general guide for installation. SuperSprings International (SSI) assumes no liability for the actual installation process. Consumers and installers should apply common automotive safety practices when raising and working on any vehicle. **Do not put yourself in a position where, if the vehicle were to move unexpectedly, you may be injured.** SSI's products are designed to improve vehicle ride quality. Do not load any vehicle beyond the manufacturer's specifications.

Never exceed the manufacturer's Gross Vehicle Rating (GVWR) located on your vehicles identification tag.

BEFORE INSTALLATION: Ensure the vehicle is on a hard level surface, the parking brake is ON, with the ignition OFF, and place chocks in front of and behind the tires to prevent the vehicle from moving.

DURING AND/OR AFTER INSTALLATION: Ensure emergency brake cables are not touching the SSI products. Secure any cables out of the way with zip ties or by re-routing. Ensure all A/C lines, brake cables, and frame are clear of contact or interference.

REV. 2.01 | SEP 2023

PART NUMBER

SSA5



INSTALLATION

1. Positioning the vehicle – Vehicle must be on level solid surface. Ensure emergency brake is ON and Ignition is OFF. Chock both front and rear of the front tires to prevent the vehicle from moving.
2. Jack up vehicle – elevate and support the frame securing with jack stands so that the axle is hanging with tires slightly off the ground. Wheel removal is suggested ONLY were bodies are mounted.
3. Spring Orientation – The SSA5 does not have a dedicated front/rear. However, the threaded ends of the spring eye bolts should be pointing outboard, away from the frame.
4. Remove Shackle Roller Assemblies – Using $\frac{3}{4}$ " tools, wrenches / sockets / ratchet, remove and set aside the bolts [ITEM G] and nuts [ITEM H] rollers [ITEM D] and sleeves [ITEM C] from the front and rear of the shackles. Rotate the shackles toward the center and parallel to the spring.
5. **MTKT or MXKT Install** - Place Mounting Kit Bracket [ITEM K] on top of factory springs directly above axle. Attach to factory springs with U-bolts [ITEM L], Clamp Plates [ITEM M], $\frac{1}{2}$ " Flat Washers [ITEM N] and $\frac{1}{2}$ " Lock Nuts [ITEM O]. Securely tighten hardware. (After 300-500 miles check and re-tighten hardware as necessary.)
6. SuperSpring Install - Place the SuperSpring on top of the factory spring plate or Mounting Kit Bracket above the OE leaf pack.
7. Shackle Attachment - **Note:** The top/spring eye shackle bolts are factory pre-torqued; no adjustment/further tightening is needed. If any are loosened by the installer then retorque to 30 ft. lbs.
8. Shackle Attachment Front - Rotate the front shackles legs down on both sides of the leaf spring. Using ITL-1 or other high capacity clamp(s), compress the SuperSprings and factory leaf pack together. Place the Sleeve [ITEM C] and the Roller [ITEM D] between the Shackles and align with desired preload holes. Secure with 1/2-13 x 4-1/2" Hex bolt [ITEM G] and 1/2-13 Lock Nut [ITEM H]. Torque to 35 ft. lbs.
9. Shackle Attachment Rear – Rotate the rear shackles legs down on both sides of the leaf spring. Using ITL-1 or other high capacity clamp(s), compress the SuperSprings and factory leaf pack together. Place the Sleeve [ITEM C] and the Roller [ITEM D] between the Shackles and align with desired preload holes. Secure with 1/2-13 x 4-1/2" Hex bolt [ITEM G] and 1/2-13 Lock Nut [ITEM H]. Torque to 35 ft. lbs.

Part Number: SSA5

Product Line: SUPERSPRINGS

Page 3

Questions or Concerns?

Scan here:



or visit:
superspringsinternational.com

SAFETY NOTICE: We recommend installation be done by a professional or persons with sound mechanical knowledge.

WARNING: These instructions are a general guide for installation. SuperSprings International (SSI) assumes no liability for the actual installation process. Consumers and installers should apply common automotive safety practices when raising and working on any vehicle. **Do not put yourself in a position where, if the vehicle were to move unexpectedly, you may be injured.** SSI's products are designed to improve vehicle ride quality. Do not load any vehicle beyond the manufacturer's specifications.

Never exceed the manufacturer's Gross Vehicle Rating (GVWR) located on your vehicles identification tag.

BEFORE INSTALLATION: Ensure the vehicle is on a hard level surface, the parking brake is ON, with the ignition OFF, and place chocks in front of and behind the tires to prevent the vehicle from moving.

DURING AND/OR AFTER INSTALLATION: Ensure emergency brake cables are not touching the SSI products. Secure any cables out of the way with zip ties or by re-routing. Ensure all A/C lines, brake cables, and frame are clear of contact or interference.

REV. 2.01 | SEP 2023

PART NUMBER

SSA5



INSTALLATION

10. Adjust spring location front to back so that the Rollers have minimum ½" of clearance from spring clamps or the end of the next shorter leaf. Also confirm that there is adequate clearance around the SuperSpring from the frame, brake lines, harnesses, etc. In some cases, it may be necessary to bend routing brackets to adjust position of the brake lines or harnesses for clearance.
11. Secure Lock-down Hardware - Install the hold down clamp to secure the SuperSpring to the Mounting Kit Bracket. Position one Spring Clamp Plate [ITEM P] above the SuperSpring, and one below the Mounting Kit Bracket. Attach the Clamp Plates together with 5/16" Bolt [ITEM S], Washer [ITEM R], and Lock Nuts [ITEM Q] on each side and fasten securely
12. Repeat steps 3 through 11 on the other side of the vehicle.
13. Lower the vehicle – elevate chassis, remove the jack stands, lower to the ground. Remove wheel chocks from front wheels.
14. Final Check – Check the position of the SuperSprings ensuring for correct hardware application and orientation. Observe all hardware ensuring for static and dynamic interference clearances. Recheck all hardware to ensure it is securely tightened. **NOTE:** After 200-500 miles of driving, recheck all hardware again for tightness.
15. Register the warranty for your SuperSprings International part. A warranty card can be found in the box your part came in.

Part Number: SSA5

Product Line: SUPERSPRINGS

Page 4

Questions or Concerns?

Scan here:



or visit:
superspringsinternational.com

SAFETY NOTICE: We recommend installation be done by a professional or persons with sound mechanical knowledge.

WARNING: These instructions are a general guide for installation. SuperSprings International (SSI) assumes no liability for the actual installation process. Consumers and installers should apply common automotive safety practices when raising and working on any vehicle. **Do not put yourself in a position where, if the vehicle were to move unexpectedly, you may be injured.** SSI's products are designed to improve vehicle ride quality. Do not load any vehicle beyond the manufacturer's specifications.

Never exceed the manufacturer's Gross Vehicle Rating (GVWR) located on your vehicles identification tag.

BEFORE INSTALLATION: Ensure the vehicle is on a hard level surface, the parking brake is ON, with the ignition OFF, and place chocks in front of and behind the tires to prevent the vehicle from moving.

DURING AND/OR AFTER INSTALLATION: Ensure emergency brake cables are not touching the SSI products. Secure any cables out of the way with zip ties or by re-routing. Ensure all A/C lines, brake cables, and frame are clear of contact or interference.

REV. 2.01 | SEP 2023